

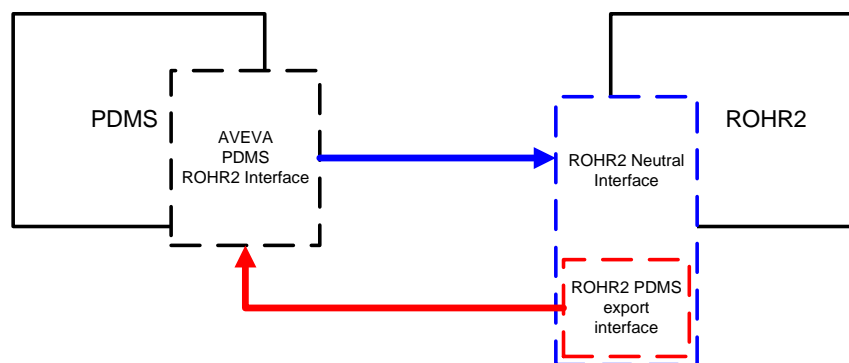
### 1.3 Interface PDMS - ROHR2

Bidirectional interface between the CAD-System PDMS and ROHR2.  
Beside the data transfer from PDMS to ROHR2 the interface enables the bidirectional data transfer between the program systems.

Requirements of the data transfer:

- the CAD-System PDMS  
The PDMS System must be equipped with a **PDMS ROHR2 Interface**.  
This Interface to generate data from the CAD system PDMS in a format, readable by the ROHR2 Neutral Interface is a separate available product of AVEVA GmbH, D-65843 Sulzbach.
- an actual program license of ROHR2 incl. ROHR2WIN and
  - for the **import of data**: a ROHR2 neutral interface
  - for the **import and export of data**: a ROHR2 neutral interface with the additional ROHR2-PDMS export function.

Die neutral interface and the ROHR2-PDMS interface are optional available programs in the program system ROHR2. They may be acquired with ROHR2 or as an upgrade to existing program installations.



The data exchange process:

#### 1. Transfer from PDMS to ROHR2 (import of data into ROHR2)

The conversion from PDMS to ROHR2 is carried out in two steps:

- The PDMS Interface creates data in the format of the ROHR2 neutral interface.  
The scope of conversion depends on the parameters defined by PDMS.
- The created .NTR-file is read by the neutral interface (integrated in ROHR2WIN).  
The complete pipe geometry incl. materials, insulation and design data details as well as support types are taken over in details, if they are defined in PDMS (corresp. attribute must be set in PDMS)

#### 2. Transfer ROHR2 to PDMS (ROHR2 data export)

The data export from ROHR2 to PDMS includes load case dependent support results and deformations.  
It is carried out in two steps, too:

- data is written into PDMS adapted export files.
- The files are taken over by the PDMS Interface into the PDMS model and shown.

Deformed structures may be represented in PDMS by this way. Beyond that, in PDMS calculation results are stored for further treatment, e.g. in hanger design software.

Please ask for detailed information and sample files.

Contact us by email ([info@rohr2.de](mailto:info@rohr2.de)) or by phone (+49 231 91 40 80-0 )